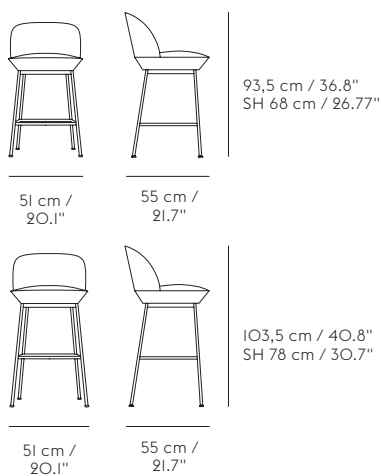




OSLO COUNTER & BAR STOOL

ANDERSSEN & VOLL ON THE DESIGN “With the Oslo Counter & Bar Stool, we wanted to create a design that had a contemporary and elegant appearance, joined by extensive comfort. Its smooth, embracing curves makes the design both inviting and sculptural while the slender legs make for an elevated and refined look. The Oslo Counter & Bar Stool creates a new perspective on the traditional form with its rounded softness and gentle curves—a friendly design with modern yet long-lasting expressions.”



READY-TO-SHIP OPTIONS TEXTILE UPHOLSTERY/BASE



Ocean 50 /
Anthracite
Black

DESIGNED BY / YEAR OF DESIGN

Anderssen & Voll / 2020

ABOUT THE DESIGNER

Anderssen & Voll is a Norwegian design duo, founded by Torbjørn Anderssen and Espen Voll and based in Oslo. The duo have been named both Norwegian and Scandinavian Designers of the Year and have received international awards and recognition for their work with furniture, lighting, and home accessories.

CATEGORY

Bar stool

ENVIRONMENT

Indoor

COUNTRY OF PRODUCTION

Poland

PREASSEMBLED

Yes

DESCRIPTION

Combining modern, geometric lines with a sculptural expression and a comfortably soft seat, the Oslo Bar Stool brings a contemporary yet elegant touch to any home, restaurant or workplace.

MATERIAL

Steel frame, moulded foam and textile from Kvadrat or Rohleder. Made-to-order textiles with option of Anthracite Black (RAL 7021) or Chrome legs.

CLEANING AND CARE

For textile version, please find cleaning instructions for your chosen textile at Kvadrat.dk or Rohleder.com. Clean powder coated or chrome surfaces with a moist cloth. If necessary, use a dish soap on the cloth.

SPARE PARTS

Plastic glide included. Felt glides sold separately.

MADE-TO-ORDER

Oslo Counter & Bar Stool can be upholstered in all colors from Kvadrat's Rime, Fiord, Steelcut, Steelcut Trio, Clara, Hallingdal, Divina, Divina MD, Divina Melange, Vidar, Twill Weave, Still, Colline, Sabi, Re-Wool, Planum, Rime & Clay textile series, and in selected colors from Rohleder's Ocean (3, 21, 32, 50, 52, 80, 601) textile series.

TEXTILE USE FOR CUSTOMIZED UPHOLSTERY

Textile Upholstery: 1,2 m / 1.31 yds.

TEST & CERTIFICATIONS

ANSI/BIFMA X5.1 Office Seating